

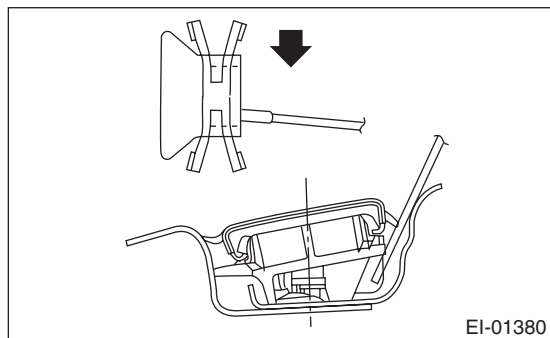
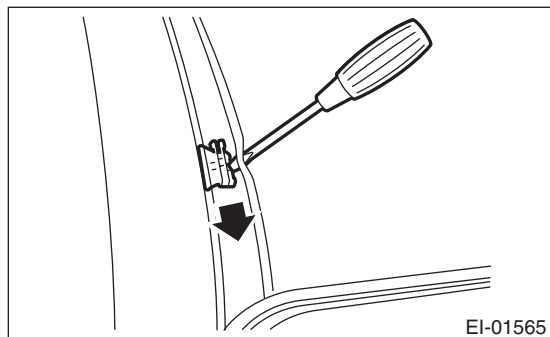
13. Roof Molding

A: REMOVAL

1) Peel the end of the roof molding, and slide the inner clip in the direction of the arrow using a flat tip screwdriver, to remove the clip from the stud on the vehicle side.

Right side: Slide towards the front of the vehicle.

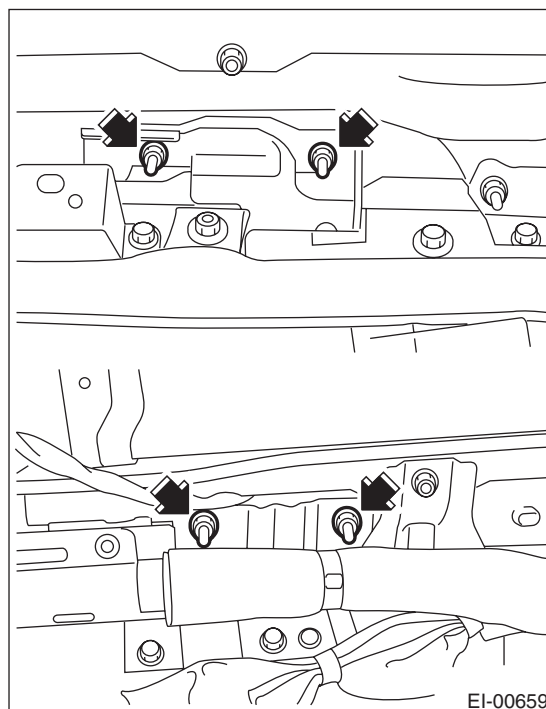
Left side: Slide towards the rear of the vehicle.



2) Pull up the roof molding upward, and remove from the vehicle.

3) Remove the roof trim. <Ref. to EI-66, REMOVAL, Roof Trim.>

4) Remove the nut, and remove the roof carrier bracket.



B: INSTALLATION

CAUTION:

Always replace clips that were damaged during removal of the roof molding.

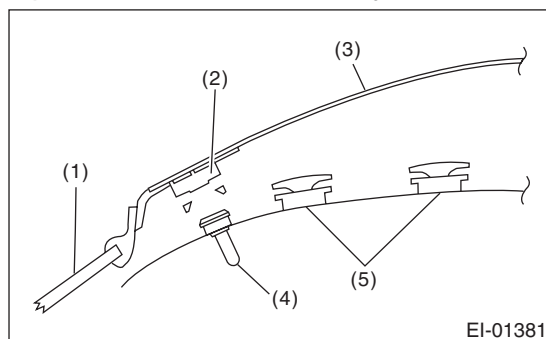
1) Install the roof carrier bracket.

Tightening torque:

7.5 N·m (0.76 kgf·m, 5.5 ft·lb)

2) Remove the clips from the roof molding, and attach to the studs on the vehicle.

3) Push the front end of the roof molding against the front window, and attach the forward positioning clip onto the rivet on the body.



- (1) Windshield
- (2) Positioning clip
- (3) Roof molding
- (4) Rivet
- (5) Clip

4) While pushing down the roof molding from above, connect the roof molding and the clip.